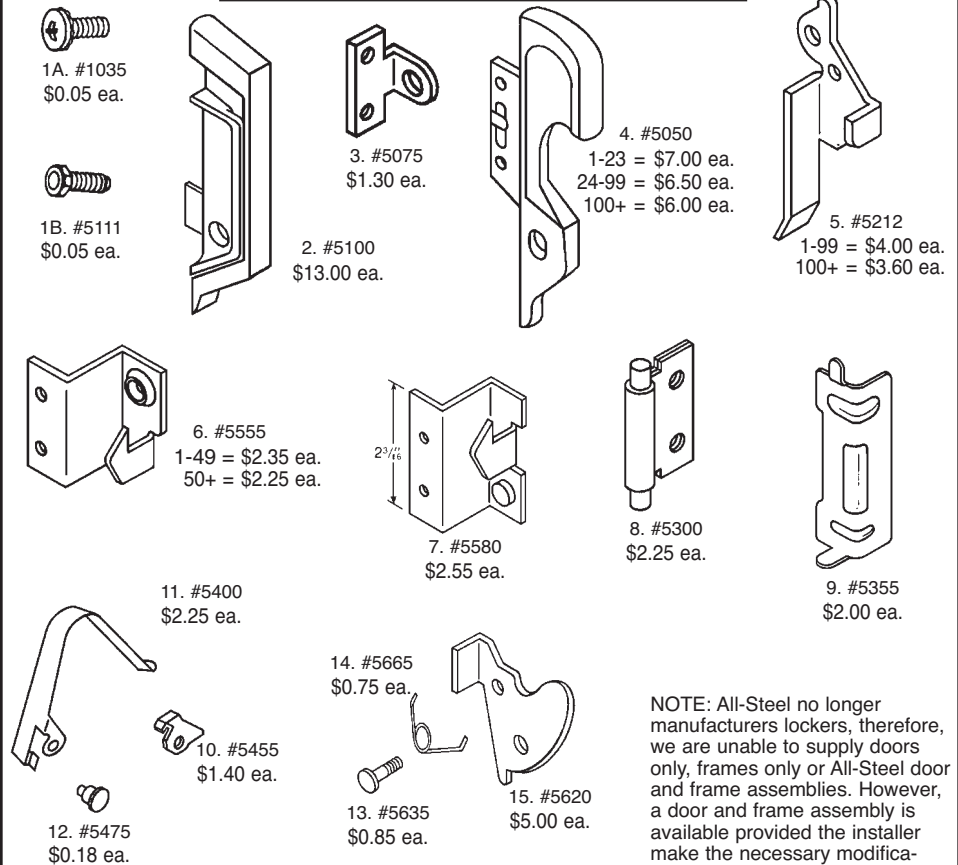


ALL-STEEL

- 1A. HANDLE BOLT—8-32 x 3/8
Cat. No. 1035
- 1B. HANDLE BOLT—8-32 x 3/8
Cat. No. 5111
2. 2-PC. KICK-PROOF
HANDLE—Cat. No. 5100
3. PADLOCK EYE—Cat. No. 5075
4. 1-PIECE HANDLE
Cat. No. 5050
5. BOX LOCKER LATCH
Cat. No. 5212
6. DOORSTOP—Cat. No. 5555
7. DOORSTOP—Cat. No. 5580
8. HINGE—Cat. No. 5300
9. CLIP—Cat. No. 5355
10. CATCH—Cat. No. 5455
11. LATCH SPRING
Cat. No. 5400
12. RIVET—Cat. No. 5475
13. STUD—Cat. No. 5635
14. SPRING—Cat. No. 5665
15. BOX LOCKER LATCH
(Old Style)
Cat. No. 5620

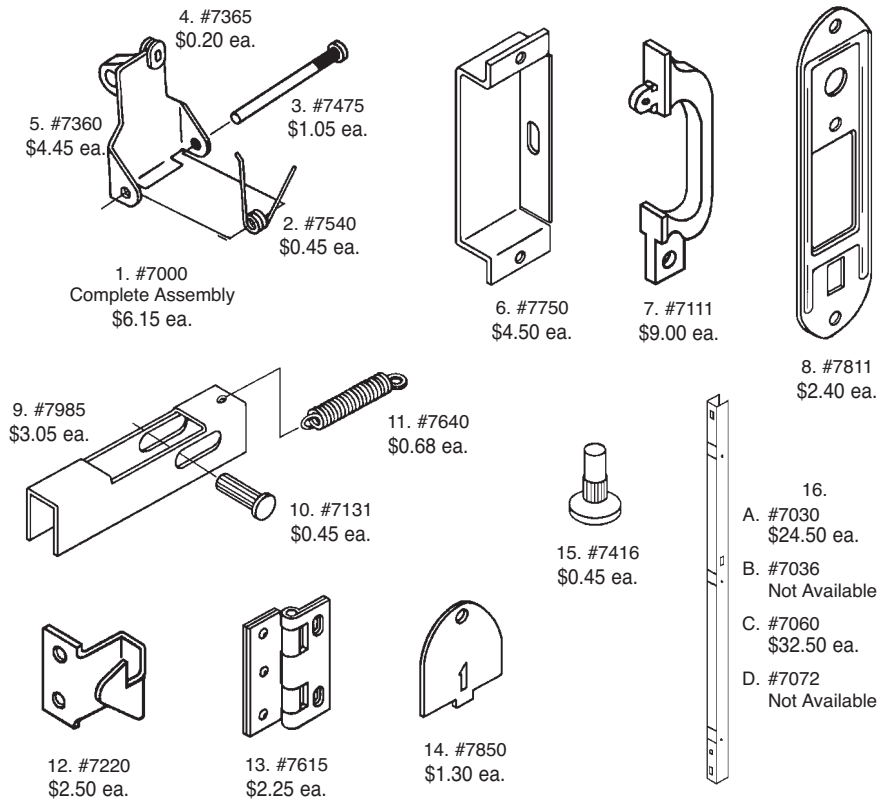
All locker handles come with screws.



NOTE: All-Steel no longer manufactures lockers, therefore, we are unable to supply doors only, frames only or All-Steel door and frame assemblies. However, a door and frame assembly is available provided the installer make the necessary modifications. For more information, contact our office.

AURORA STEEL

1. COMPLETE LIFTER
ASSEMBLY—Cat. No. 7000
2. LIFTER SPRING—Cat. No. 7540
3. LIFTER PIN—Cat. No. 7475
4. RUBBER BUMPER—Cat. No. 7365
5. LIFTER ONLY—Cat. No. 7360
6. LIFTER COVER—Cat. No. 7750
7. LOCKER HANDLE—Cat. No. 7111
8. FACE PLATE—Cat. No. 7811
9. LATCH—Cat. No. 7985
10. LATCH PIN—Cat. No. 7131
11. COIL SPRING—Cat. No. 7640
12. DOOR STOP—Cat. No. 7220
13. HINGE—Cat. No. 7615
14. NUMBER PLATE
Cat. No. 7850 (Specify Number)
15. RETAINING RIVET FOR LOCK
BAR—Cat. No. 7416
16. LOCKING BAR ASSEMBLY



	ACTUAL LENGTH	LOCKER DOOR HT	PART NUMBER
A.	27"	30"	7030
B.	*32-15/16"	36"	7036
C.	56-9/16"	60"	7060
D.	*68-3/8"	72"	7072

* No Longer Available.

Centar Industries INCORPORATED
16313 WESTWOODS BUSINESS PARK, ELLISVILLE, MO 63021
CALL TOLL FREE: 1-800-843-7878 • FAX 1-636-391-2336