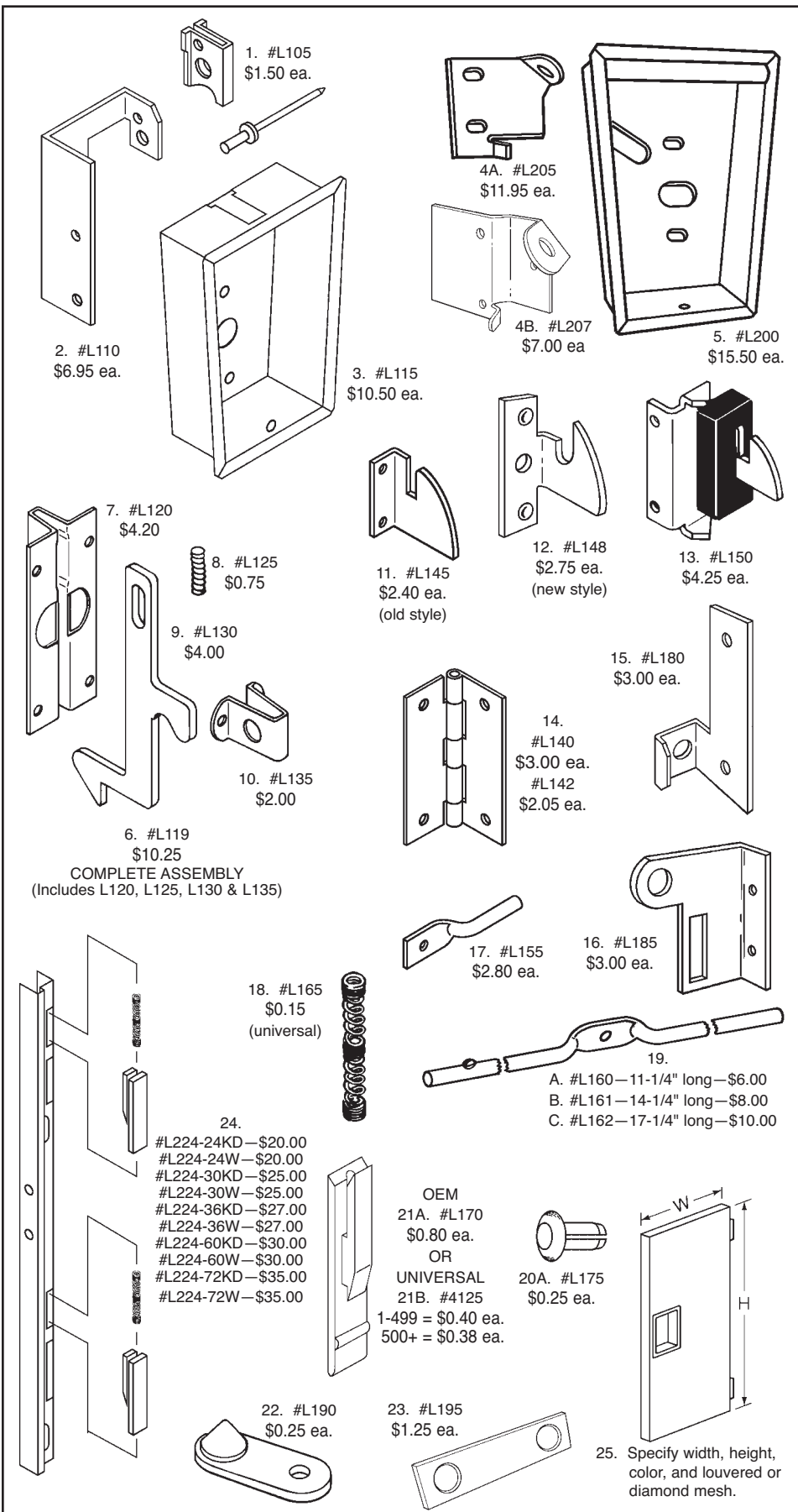


LIST/SUPERIOR ART METAL/ HALLOWELL

1. FINGER LIFT w/RIVET
Cat. No. L105
2. HANDLE LIFT—Cat. No. L110
3. RECESSED HANDLE
Cat. No. L115
4. SINGLE POINT HASP ASSEMBLY
4A. Cat. No. L205—Old Style
4B. Cat. No. L207—New Style
5. SINGLE POINT RECESSED CUP
Cat. No. L200
6. COMPLETE ASSEMBLY
Cat. No. L119
(Includes L120, L125, L130 & L135)
Specify for top or side hinged door,
with or without recess pan.
7. HASP HOUSING—Cat. No. L120
8. SPRING—Cat. No. L125
9. LATCH—Cat. No. L130
10. KEEPER—Cat. No. L135
11. LATCH HOOK—Cat. No. L145
12. NEW STYLE DOOR JAMB
Cat. No. L148
13. LATCH HOOK—Cat. No. L150
14. 3-1/2" HINGE—Cat. No. L140
2" HINGE FOR KD LOCKER
Cat. No. L142
15. BOX LOCKER DOOR PULL
Cat. No. L180
16. BOX LOCKER DOOR JAMB
Cat. No. L185
17. HINGE ROD (Prior to 6-86)
Cat. No. L155
18. LATCH SPRING—Cat. No. L165
19. HINGE ROD (6-86 to Present)
A. Cat. No. L160—11-1/4" long—\$6.00
B. Cat. No. L161—14-1/4" long—\$8.00
C. Cat. No. L162—17-1/4" long—\$10.00
20. NYLON RIVET
Cat. No. L175
21. NYLON LATCH—Cat. No. L170
22. SPL FRICTION BUTTON
Cat. No. L190
23. FIELD ATTACHED SHELF
STRIKE—Cat. No. L195
24. LOCK CHANNEL
KNOCKED DOWN WELDED
L224-30 KD L224-30W
L224-36 KD L224-36W
L224-60 KD L224-60W
L224-72 KD L224-72W
(Specify Exact Length of Channel)
25. DOORS - **Specify**
WIDTH, HEIGHT, COLOR AND
LOUVERED OR DIAMOND MESH.
Specify locker assembled with
nuts and bolts or welded.



Centar Industries INCORPORATED
16313 WESTWOODS BUSINESS PARK, ELLISVILLE, MO 63021
CALL TOLL FREE: 1-800-843-7878 • FAX 1-636-391-2336