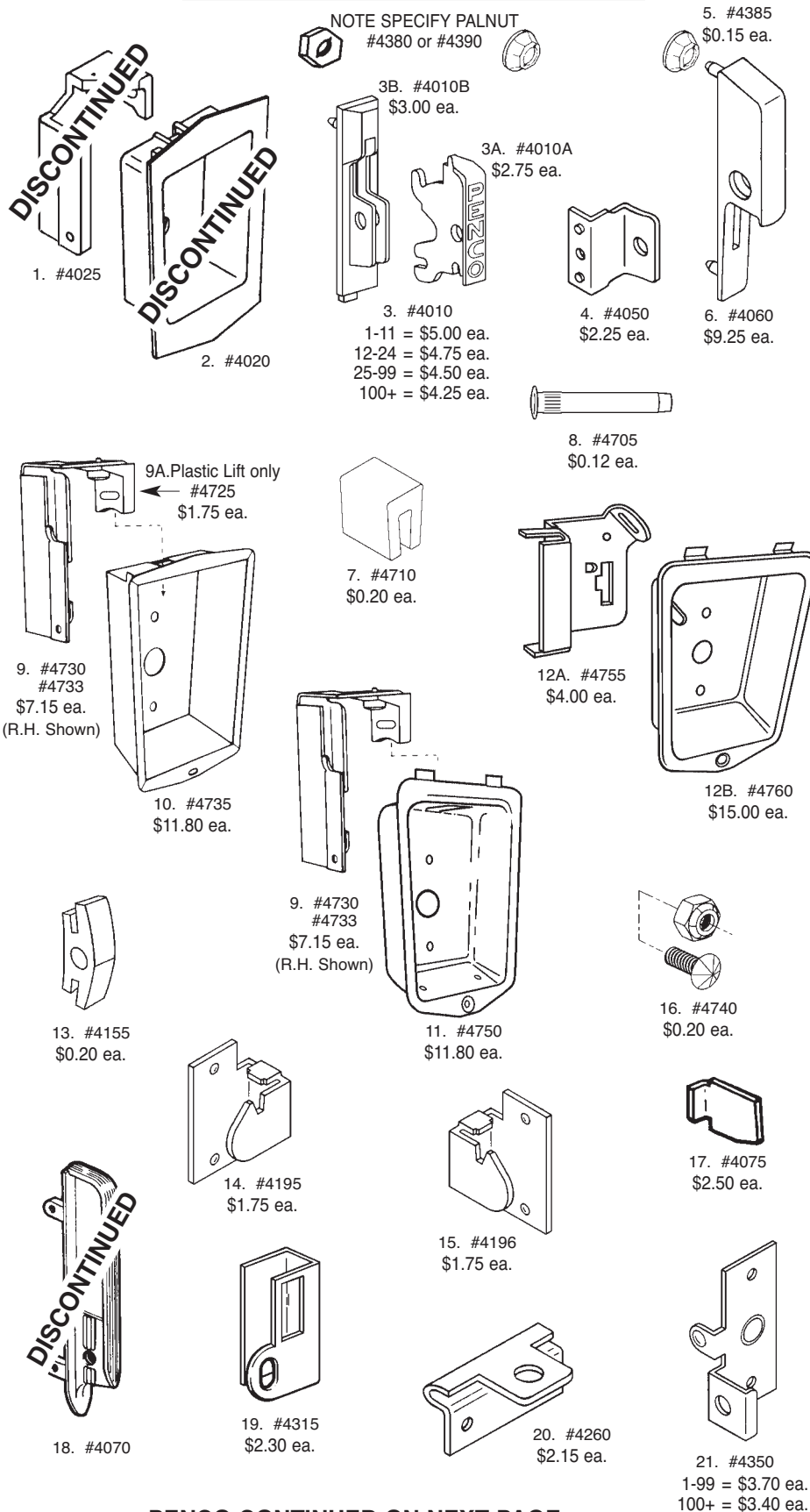


All locker handles come with screws.

PENCO



1. HANDLE SLIDE
Cat. No. 4025
2. HANDLE HOUSING
Cat. No. 4020
3. LOCKER HANDLE
Cat. No. 4010 (Specify Palnut)
- 3A. HANDLE SLIDE ONLY
Cat. No. 4010A
- 3B. HANDLE HOUSING ONLY
Cat. No. 4010B
4. PADLOCK STAPLE
Cat. No. 4050
5. PALNUT—Cat. No. 4385
6. LOCKER HANDLE
Cat. No. 4060
7. HANDLE RUBBER BUMPER
Cat. No. 4710
8. PIN—Cat. No. 4705
9. HANDLE LIFT
Right Hand—Cat. No. 4730
Left Hand—Cat. No. 4733
- 9A. Plastic Lift Only—Cat. No. 4725
10. RECESSED HANDLE
Cat. No. 4735
11. SEAMLESS RECESSED HANDLE
Cat. No. 4750
12. SINGLE POINT RECESSED HANDLE
A. LATCH—Cat. No. 4755
B. HOUSING—Cat. No. 4760
13. BUMPER DOOR STOP
Cat. No. 4155
14. DOORSTOP RIGHT HAND
Cat. No. 4195
15. DOORSTOP LEFT HAND
Cat. No. 4196
16. 8-32 x 1/2" DECORATIVE SCREW AND 8-32 NYLON INSERT STOP NUT
Cat. No. 4740
17. PADLOCK HASP
Cat. No. 4075
18. LOCKER HANDLE
Cat. No. 4070
19. BOX LOCKER JAMB
Cat. No. 4315
20. WIRE BASKET PADLOCK ATTACHMENT
Cat. No. 4260
21. BOX LOCKER PULL
Cat. No. 4350

PENCO CONTINUED ON NEXT PAGE

Centar Industries INCORPORATED
16313 WESTWOODS BUSINESS PARK, ELLISVILLE, MO 63021
CALL TOLL FREE: 1-800-843-7878 • FAX 1-636-391-2336

PENCO CONTINUED
ON NEXT PAGE