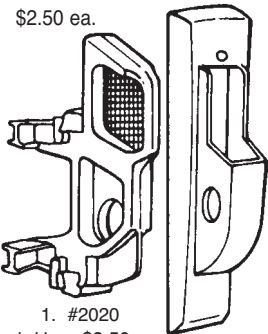


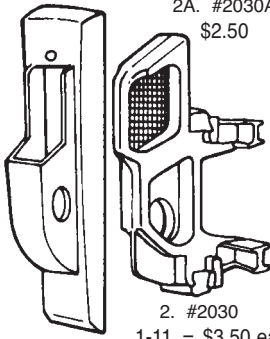
All locker handles come with screws.

1A. #2020A
\$2.50 ea.



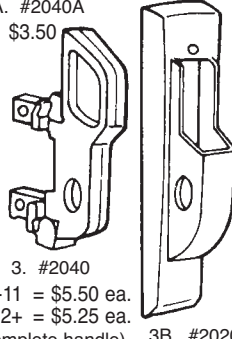
1. #2020
1-11 = \$3.50 ea.
12-99 = \$3.35 ea.
100+ = \$3.25 ea.
(complete handle)

2A. #2030A
\$2.50



2. #2030
1-11 = \$3.50 ea.
12-99 = \$3.35 ea.
100+ = \$3.25 ea.

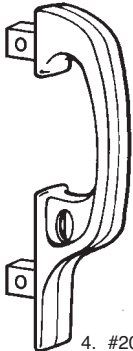
3A. #2040A
\$3.50



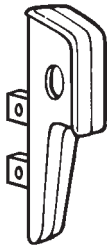
3. #2040
1-11 = \$5.50 ea.
12+ = \$5.25 ea.
(complete handle)
3B. #2020B
\$2.50 ea.
3. #2045
\$6.50
(left hand)

1B. #2020B
\$2.50 ea.

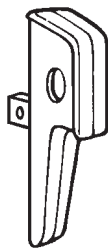
2B. #2020B
\$2.50 ea.



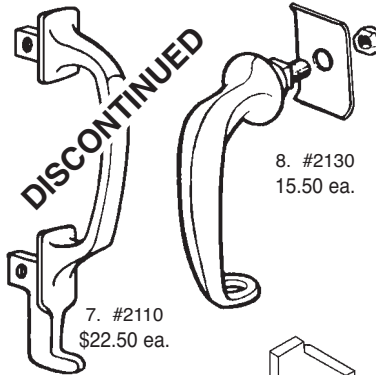
4. #2070
1-11 = \$4.80 ea.
12-23 = \$4.50 ea.
24-99 = \$4.25 ea.
100+ = \$3.95 ea.



5. #2050
1-11 = \$3.50 ea.
12+ = \$3.15 ea.



6. #2060
1-11 = \$3.95 ea.
12+ = \$3.75 ea.



7. #2110
\$22.50 ea.

8. #2130
15.50 ea.



OLD STYLE
DISCONTINUED

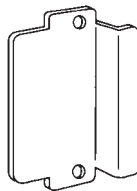


12. #2055
\$1.60 ea.

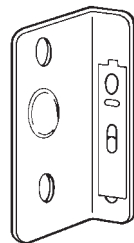
9A. #2080
\$0.04 ea.

9B. #2085
\$0.05 ea.

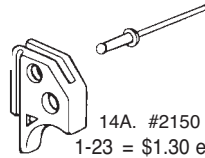
9C. #2090
\$0.05 ea.



10. #2280
1-49 = \$1.45 ea.
50+ = \$1.40 ea.

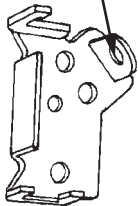


11. #2290
\$2.75 ea.

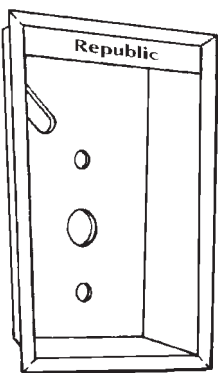


14A. #2150
1-23 = \$1.30 ea.
24+ = \$1.20 ea.

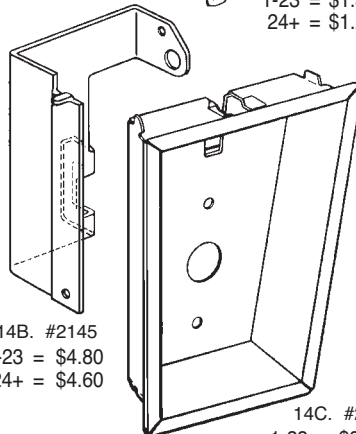
#2180 Clip Only
\$5.40 ea.



13A. #2147
\$10.25 ea.



13B. #2127
\$10.65 ea.



14B. #2145
1-23 = \$4.80
24+ = \$4.60

14C. #2125
1-23 = \$8.15 ea.
24+ = \$7.90 ea.

(Specify padlock or built-in lock)

REPUBLIC CONTINUED ON NEXT PAGE.

REPUBLIC

1. LOCKER HANDLE (Right Hand)
Cat. No. 2020
- 1A. HANDLE LIFT ONLY
Cat. No. 2020A
- 1B. HANDLE HOUSING ONLY
Cat. No. 2020B
2. LOCKER HANDLE (Left Hand)
Cat. No. 2030
- 2A. HANDLE LIFT ONLY
Cat. No. 2030A
- 2B. HANDLE HOUSING ONLY
Cat. No. 2020B
3. LOCKER HANDLE
Cat. No. 2040 (Right Hand)
Cat. No. 2045 (Left Hand)
- 3A. HANDLE LIFT ONLY (Right Hand)
Cat. No. 2040A
- 3B. HANDLE HOUSING ONLY
Cat. No. 2020B
4. LOCKER HANDLE—Cat. No. 2070
5. LOCKER HANDLE—Cat. No. 2050
6. LOCKER HANDLE—Cat. No. 2060
7. LOCKER HANDLE—Cat. No. 2110
8. EXPANDED METAL
LOCKER HANDLE—Cat. No. 2130
9. HANDLE BOLTS
A. 8-32 x 5/16" Long—Cat. No. 2080
B. 8-32 x 5/16" Long—Cat. No. 2085
C. 8-32 x 1/2" Long—Cat. No. 2090
10. ESCUTCHEON PLATE
BOX LOCKER—Cat. No. 2280
11. BOX LOCKER FRICTION CATCH
Cat. No. 2290
12. PADLOCK HASP—Cat. No. 2055
13. SINGLE POINT RECESSED
HANDLE
A. PADLOCK HASP ASSEMBLY
Cat. No. 2147
B. HOUSING—Cat. No. 2127
14. RECESSED HANDLE
A. FINGER LIFT & POP RIVET
Cat. No. 2150
B. SLIDE—Cat. No. 2145
C. HOUSING—Cat. No. 2125

Centar Industries INCORPORATED
16313 WESTWOODS BUSINESS PARK, ELLISVILLE, MO 63021
CALL TOLL FREE: 1-800-843-7878 • FAX 1-636-391-2336

REPUBLIC CONTINUED ON
NEXT PAGE.