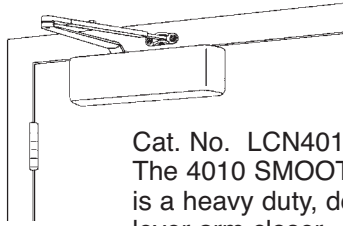
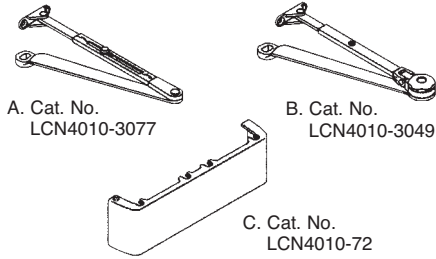


LCN DOOR CLOSERS

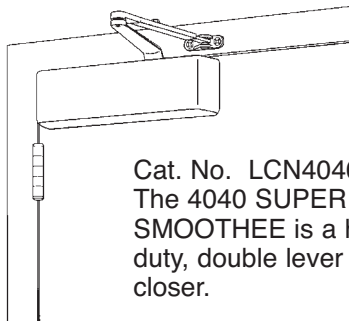
When ordering, please specify: 1) Door Size, 2) Left or Right Handed (where applicable), 3) Finish - Std. Aluminum or Dark Bronze



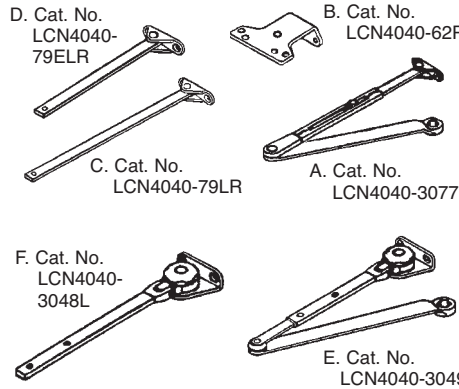
Cat. No. LCN4010
The 4010 SMOOTHIE is a heavy duty, double lever arm closer.



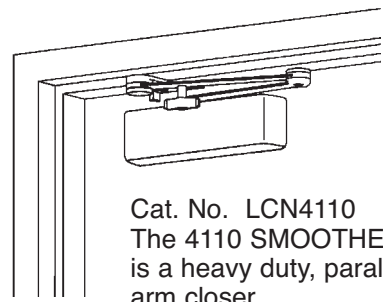
- A. Cat. No. LCN4010-3077
Regular Arm-Std, non-handed arm.
- B. Cat. No. LCN4010-3049
Hold Open Arm-Optional, handed arm provides hold-open function adjustable at elbow.
- C. Cat. No. LCN4010-72
Cover - Std, non-handed, non-metallic cover.



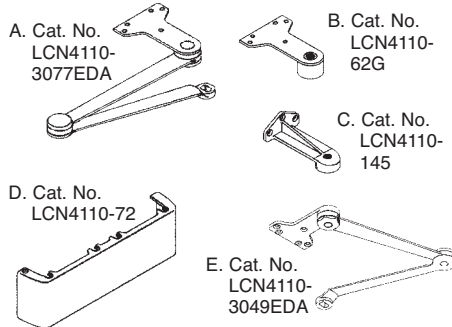
Cat. No. LCN4040
The 4040 SUPER SMOOTHIE is a heavy duty, double lever arm closer.



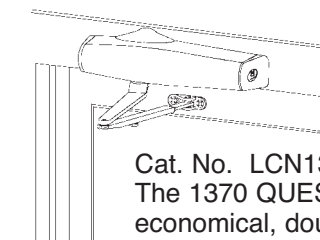
- A. Cat. No. LCN4040-3077
Regular Arm-Std, non-handed arm.
- B. Cat. No. LCN 4040-62PA
PA Shoe-Required for parallel arm mounting.
- C. Cat. No. LCN4040-79LR
Optional non-handed arm includes Long Rod & Shoe.
- D. Cat. No. LCN4040-79ELR
Optional non-handed arm includes Extra Long Rod & Shoe.
- E. Cat. No. LCN4040-3049
Hold Open Arm-Optional non-handed arm.
- F. Cat. No. LCN4040-3048L
Long Head & Tube used with LCN4040-3049L



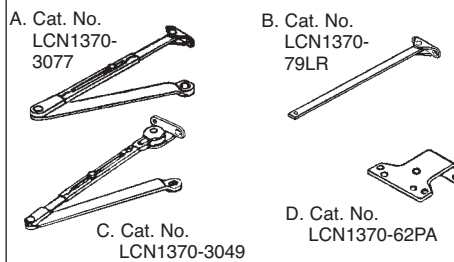
Cat. No. LCN4110
The 4110 SMOOTHIE is a heavy duty, parallel arm closer.



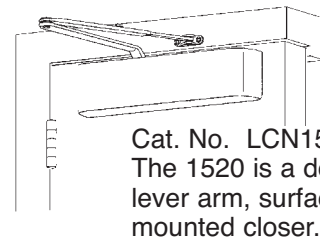
- A. Cat. No. LCN4110-3077EDA
Extra Duty Arm-Std, non-handed arm.
- B. Cat. No. LCN4110-62G
Optional thick hub shoe for blade stop clearance.
- C. Cat. No. LCN4110-145
Optional flush transom shoe for single rabbeted installations.
- D. Cat. No. LCN4110-72
Cover-Std, non-handed, non-metallic cover.
- E. Cat. No. LCN4110-3049EDA
Hold Open Arm-Optional handed arm provides hold-open function.



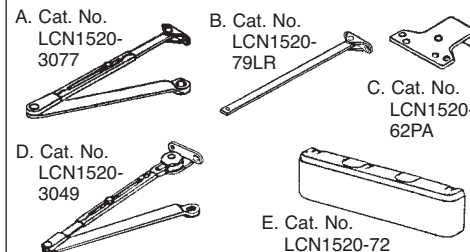
Cat. No. LCN1370
The 1370 QUEST is an economical, double lever arm closer.



- A. Cat. No. LCN1370-3077
Regular Arm - Std, non-handed arm.
- B. Cat. No. LCN1370-3049-79LR
Long Rod & Shoe for Long Arm.
- C. Cat. No. LCN1370-3049
Hold Open Arm-Optional non-handed arm.
- D. Cat. No. LCN1370-62PA
Shoe required for parallel arm mounting.



Cat. No. LCN1520
The 1520 is a double lever arm, surface mounted closer.



- A. Cat. No. LCN1520-3077
Regular Arm - Std, non-handed arm.
- B. Cat. No. LCN1520-79LR
Long Rod & Shoe for Long Arm.
- C. Cat. No. LCN 1520-62PA
Shoe required for parallel arm mounting.
- D. Cat. No. LCN1520-3049
Hold Open Arm-optional non-handed arm.
- E. Cat. No. LCN1520-72
Cover-Non-handed metal cover.

WWW.CENTARIND.COM
e-mail:
CUSTSERVICE@CENTARIND.COM



Centar Industries INCORPORATED
16313 WESTWOODS BUSINESS PARK, ELLISVILLE, MO 63021
CALL TOLL FREE: 1-800-843-7878 • FAX 1-636-391-2336

IN ST. LOUIS CALL:
636-391-2333