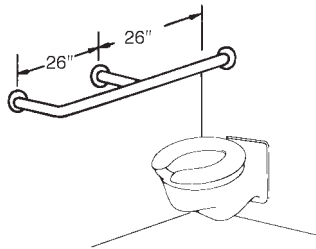


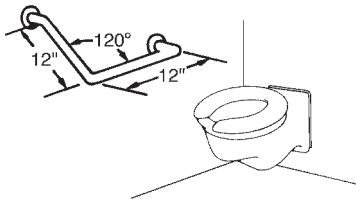
# GRAB BARS

## COMMODOE BARS

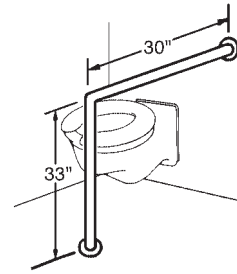
18



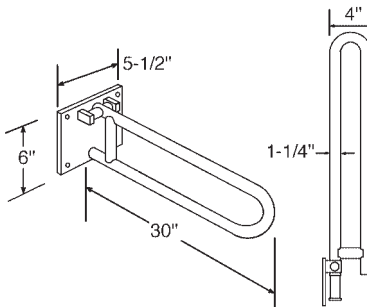
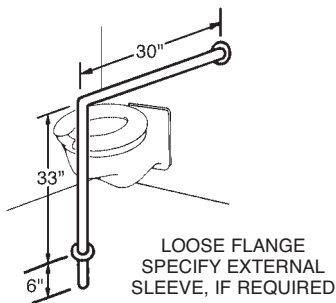
28



30

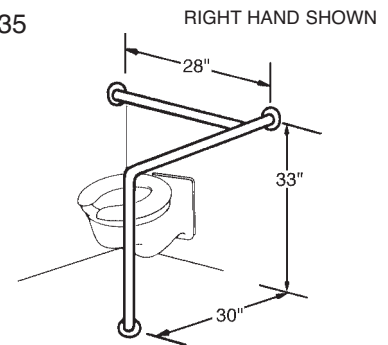


31



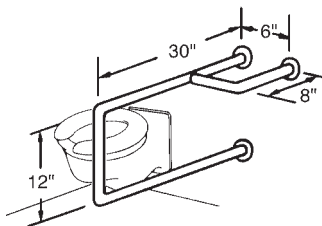
#3410 Swing-Up Grab Bar

35



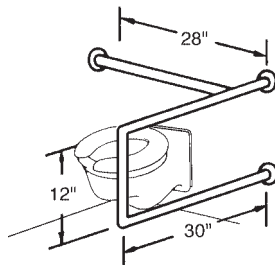
45

RIGHT HAND SHOWN

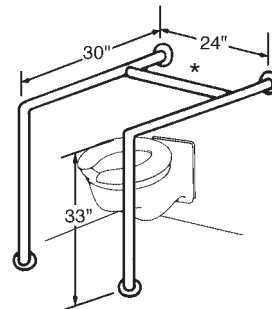


47

RIGHT HAND SHOWN



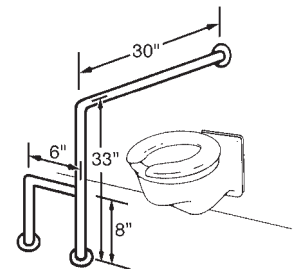
49



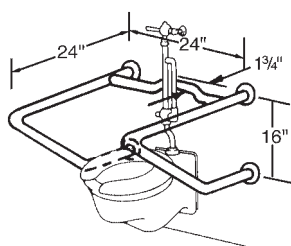
\* Adjustable Cross Bar

60

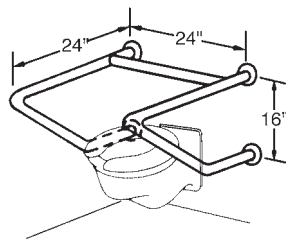
LEFT HAND SHOWN



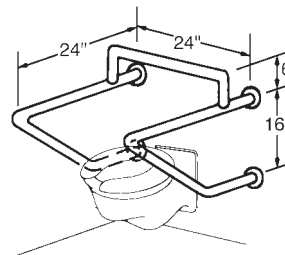
63



64

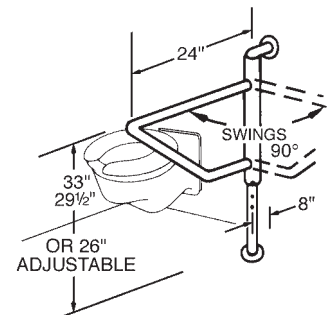


68



72

1" AND 1-1/4" DIA. ONLY



WWW.CENTARIND.COM  
e-mail:  
CUSTSERVICE@CENTARIND.COM



**Centar Industries** INCORPORATED  
16313 WESTWOODS BUSINESS PARK, ELLISVILLE, MO 63021  
CALL TOLL FREE: 1-800-843-7878 • FAX 1-636-391-2336

IN ST. LOUIS CALL:  
636-391-2333