

# MISCELLANEOUS TOILET PARTITION PARTS

## 54" CONTINUOUS PLASTIC BRACKET FOR 1" MATERIAL

		"A" PANEL SIZE	"B" BRACKET HEIGHT	"C" BRACKET WIDTH
P222	Two Ear Bracket	1"	2-3/4"	3-3/4"
P227	One Ear Bracket	1"	2-3/4"	2-5/8"

## 57-1/2" CONTINUOUS ALUMINUM WALL BRACKETS

Also available in 54" length.

		"A" PANEL SIZE	"B" BRACKET HEIGHT	"C" BRACKET WIDTH
P220	Two Ear Bracket	1"	2-3/4"	3-3/4"
P225	One Ear Bracket	1"	2-3/4"	2-5/8"
P230	One Ear Bracket	1-1/4"	2-3/4"	2-5/8"
P235	"U" Bracket	1"	1-3/8"	1-11/32"

## 57" CONTINUOUS STAINLESS STEEL WALL BRACKET

		"A" PANEL SIZE	"B" BRACKET HEIGHT	"C" BRACKET WIDTH
P2349	Two Ear Bracket	1"	2-1/2"	3-11/16"
P2339	One Ear Bracket	1"	2-1/2"	2-13/32"
P2359	One Ear Bracket	1-1/4"	2-1/2"	2-11/16"
P2369	"U" Bracket	1"	1-1/2"	1-3/16"

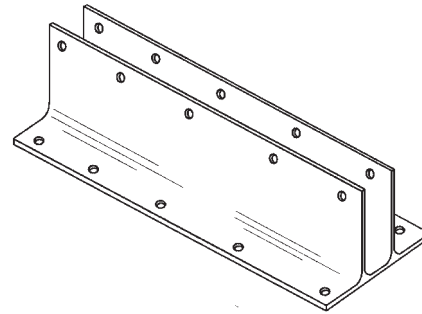
## 41" CONTINUOUS ALUMINUM URINAL SCREEN WALL BRACKET

		"A" PANEL SIZE	"B" BRACKET HEIGHT	"C" BRACKET WIDTH
P240	Two Ear Bracket	1"	2"	3-1/8"

ALUMINUM  
#P220 - \$39.50  
#P240 - \$27.00

STAINLESS  
#P2349 - \$67.00

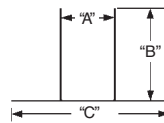
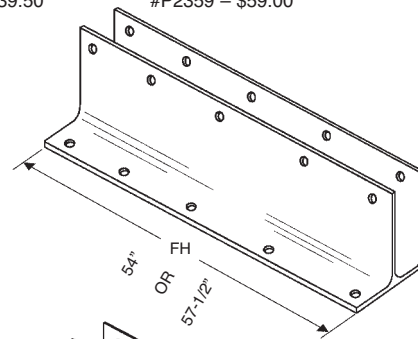
PLASTIC  
#P222 - \$19.50



ALUMINUM  
#P225 - \$39.50  
#P230 - \$39.50

STAINLESS  
#P2339 - \$57.00  
#P2359 - \$59.00

PLASTIC  
#P227 - \$19.50



ALUMINUM  
#P235  
\$30.00  
STAINLESS  
#P2369  
\$40.00

# RESTROOM SIGNS

- ADA Compliant
- 6" x 9" Braille Signs
- Vandal Resistant
- Self Adhesive Backing
- Indoor or Outdoor Use
- Color: Blue with white lettering



1. #P200M  
\$11.85



3. #P201MH  
\$11.85



2. #P202W  
\$11.85



4. #P203WH  
\$11.85

WWW.CENTARIND.COM  
e-mail:  
CUSTSERVICE@CENTARIND.COM



**Centar Industries** INCORPORATED  
16313 WESTWOODS BUSINESS PARK, ELLISVILLE, MO 63021  
CALL TOLL FREE: 1-800-843-7878 • FAX 1-636-391-2336

IN ST. LOUIS CALL:  
636-391-2333