

# MILLS



1. #PM05  
\$18.00 ea.



2. #PM10  
\$18.00 ea.



3. #PM27  
\$9.00 ea.



6. #PM25  
\$16.00 ea.



4. #PM15  
(Old Style)  
\$3.00 ea.



5. #PM20  
\$6.00 ea.



7. #P511  
1-11 = \$6.00 ea.  
12+ = \$5.40 ea.

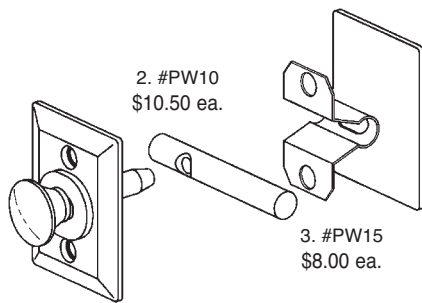


8. #P514  
1-6 = \$4.50 ea.  
7+ = \$4.00 ea.

**NOT SURE ???  
SEND US A SAMPLE**

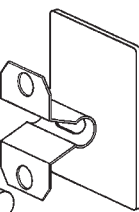
1. TOP HINGE W/PIN  
Cat. No. PM05
2. BOTTOM HINGE ASSEMBLY  
Cat. No. PM10
3. NYLON CAM AND  
BOTTOM CAM HOUSING  
Cat. No. PM27
4. SLIDE BOLT LATCH WRENCH  
Cat. No. PM15
5. STRIKE & KEEPER  
Cat. No. PM20
6. SLIDE LATCH ASSEMBLY  
Cat. No. PM25
7. STRIKE & KEEPER  
Cat. No. P511
8. STRIKE & KEEPER  
Cat. No. P514

# WEIS-ROBART



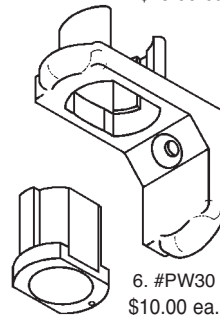
1. #PW05  
\$25.50 ea.

2. #PW10  
\$10.50 ea.



3. #PW15  
\$8.00 ea.

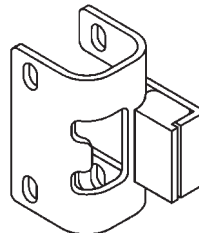
4. #PW20  
\$6.50 ea.



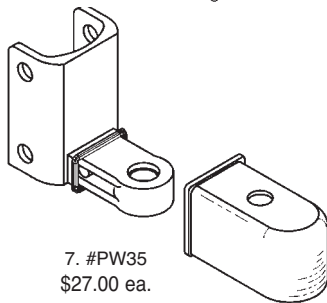
5. #PW25  
\$19.00 ea.

6. #PW30  
\$10.00 ea.

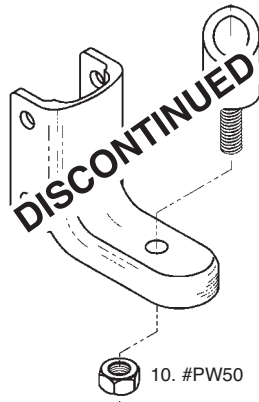
8. #PW40  
\$9.50 ea.



9. #PW45  
\$25.00 ea.



7. #PW35  
\$27.00 ea.



**DISCONTINUED**

10. #PW50



11. #P7011 R.H.  
1-3 = \$22.00 ea.  
4+ = \$20.00 ea.

12. #P7021 L.H.  
1-3 = \$22.00 ea.  
4+ = \$20.00 ea.

**LIMITED QUANTITIES AVAILABLE**

1. SLIDE LATCH  
Cat. No. PW05
2. LATCH SLIDE BOLT  
Cat. No. PW10
3. BOLT RETAINING CLIP  
Cat. No. PW15
4. LATCH COVER PLATE  
Cat. No. PW20
5. BOTTOM CAM HOUSING  
Cat. No. PW25
6. NYLON CAM  
Cat. No. PW30
7. TOP HINGE WITH COVER  
Cat. No. PW35
8. STEEL HINGE PIN  
Cat. No. PW40
9. STRIKE & KEEPER  
Cat. No. PW45
10. BOTTOM HINGE & PINTLE  
Cat. No. PW50
11. HINGE SET for Right Hand  
Inswing or Left Hand Outswing  
Cat. No. P7011
12. HINGE SET for Right Hand  
Outswing or Left Hand Inswing  
Cat. No. P7021

**Centar Industries** INCORPORATED  
16313 WESTWOODS BUSINESS PARK, ELLISVILLE, MO 63021  
CALL TOLL FREE: 1-800-843-7878 • FAX 1-636-391-2336