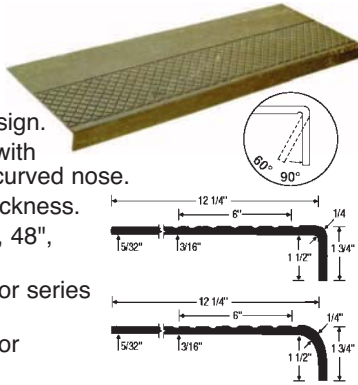


STAIR TREADS

Rubber Stair Treads

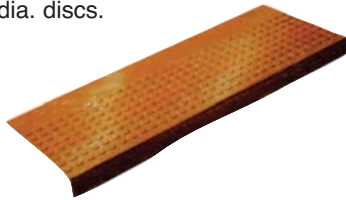
Cat. No. ST622R

- Diamond Tread uses a 1/2 diamond and 1/2 smooth design.
- 1/4" thick and 12-1/4" deep with 1-1/2" adjustable square or curved nose.
- Color extends throughout thickness.
- Standard lengths of 36", 42", 48", 54", 60" and 72".
- Square nose available in color series 1, 2, & 3.
- Curved nose available in color series 1.



Cat. No. ST800R

- Lo-Disc Stair Tread has 3/4" dia. discs.
- 3/16" thick and 12-1/4" deep with 1-1/2" square nose.
- Color extends throughout thickness.
- Thicker rubber at front edge adds to the life of the tread.
- Easy to clean.
- Excellent for lighter traffic areas.
- Standard lengths of 36", 42", 48", 54", 60" and 72".
- Available in color series 1, 2, & 3.



Cat. No. ST1000

- Stair tread with horizontal bar pattern.
- 1/4" thick and 12" deep with 1-3/16" square or curved nose.
- Color extends throughout thickness.
- Easy to clean.
- Standard lengths of 36", 42", 48", 54", 60" and 72". (54", 60", and 72" available in square nose only.)
- Square nose available in color series 1 & 2.
- Curved nose available in color series 1.



Cat. No. ST750

- Molded rubber smooth flat surface stair tread.
- 3/16" thick and 12-1/2" deep with square or curved nose.
- Smooth surface offer long wear, easy cleaning with reduced noise.
- Standard lengths of 36", 42", 48", 54", 60" and 72".
- Available in color series 1 & 2.

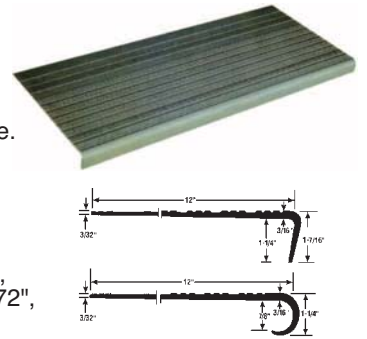


All rubber stairs treads are available with grit strip.
Call for details

Vinyl Stair Treads

Cat. No. ST375V

- Rib Design Stair Tread.
- 1-1/4" square or curved nose.
- Color extends throughout thickness.
- Easy to install and clean.
- Front edge thicker.
- Standard lengths of 18", 24", 30", 36", 42", 48", 54", 60", 72", 84" and 96".
- Available in brown, sand, gray, and black.
- Use stair riser ST405VR.



Aluminum Stair Treads

Cat. No. ST75GSA

- Grit Surface Alum. Stair Treads are 3/16" thick; 7-1/2" deep with a square nose.
- Can be installed inside or outside on concrete, wood, treated lumber, slate or marble steps.
- Available in black, brown, gray, green, blue, red, yellow, or white with colors separated by an aluminum rib.



Coved Stair Riser

Cat. No. ST505CR

- Coved riser allows for easier cleaning, is more attractive and reduces fitting procedures at rear of steps.
- Trim to fit length and height.
- 1/8" thick and 7" high with 5/8" toe.
- Standard lengths of 36", 42", 48", 54", 60", or 72".
- Available in color series 1, 2, & 3.



Adhesive

Cat. No. ST400

- Used on all rubber stair treads or vinyl stair treads.
- Can be used on concrete, pan filled, wood, metal, marble and terrazzo steps.
- Rapid drying, brush on contact cement.
- 1 gallon covers 75 l/f.
- Available in 1 quart, 1 gallon and 4 gallon containers.

Grit Strip

Cat. No. ST-GS

- A non-slip surfacing with a pressure sensitive adhesive back.
- Recommended to be used with Grit Strip Adhesive.
- 1/32" thick.
- Available in a variety of sizes and colors. Call for details.



WWW.CENTARIND.COM
e-mail:
CUSTSERVICE@CENTARIND.COM



Centar Industries INCORPORATED
16313 WESTWOODS BUSINESS PARK, ELLISVILLE, MO 63021
CALL TOLL FREE: 1-800-843-7878 • FAX 1-636-391-2336

IN ST. LOUIS CALL:
636-391-2333