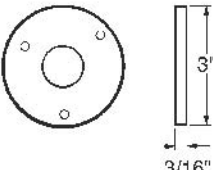
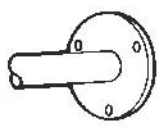
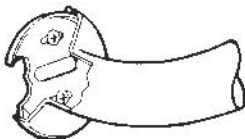
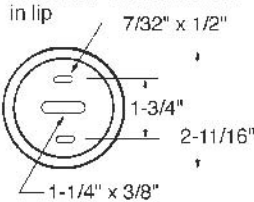
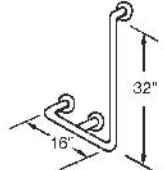
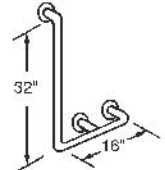


GRAB BARS

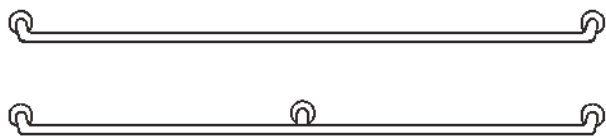
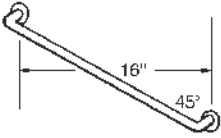
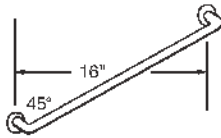
TO ORDER GRAB BARS:

- 1) Specify Part Number,
- 2) Concealed or Exposed Mounting Screws,
- 3) 1", 1-1/4", or 1-1/2" Diameter

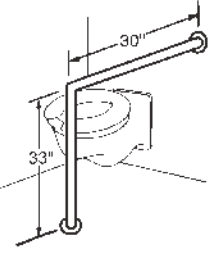
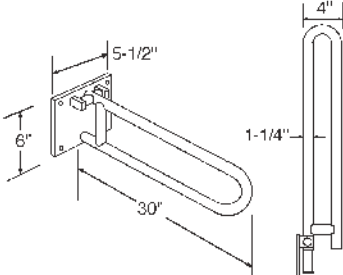
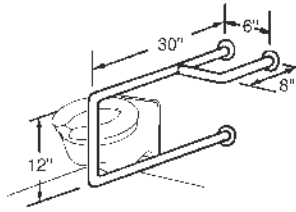
Many more styles available

ROUND EXPOSED	CONCEALED	ANGLE BARS	
  <p>Bolt Hole Circle 2-1/4"</p>	 <p>Three 1/4"-20 set screws in lip</p>  <p>11 Gauge 3" dia.</p>	<p>22</p>  <p>RIGHT HAND SHOWN</p>	<p>23</p>  <p>LEFT HAND SHOWN</p>

BAR NUMBERS

STRAIGHT BARS		19	20
<p>Specify center support when required.</p> 	<p>#10-12" #11-16" #12-18" #13-24" #14-32" #16-36" #15-42" #17-48" #21-30"</p>		

COMMODOE BARS

<p>30</p> 	 <p>#3410 Swing-Up Grab Bar</p>	<p>45 RIGHT HAND SHOWN</p> 
---	--	--

WWW.CENTARIND.COM
 e-mail:
 CUSTSERVICE@CENTARIND.COM



Centar Industries INCORPORATED
 16313 WESTWOODS BUSINESS PARK, ELLISVILLE, MO 63021
 CALL TOLL FREE: 1-800-843-7878 • FAX 1-636-391-2336

IN ST. LOUIS CALL:
 636-391-2333