

UNIVERSAL HARD PLASTIC DESK TOPS

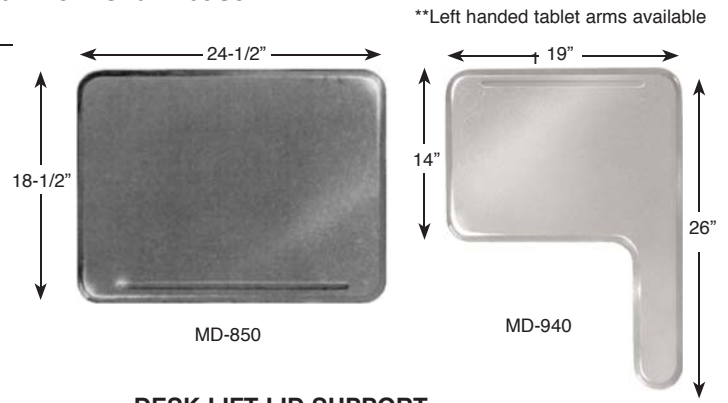
- Replaces particleboard & plywood • Easily installs in minutes •
- Rock hard melamine plastic which is recognized throughout the industry as premier choice for classroom furniture • Easy to maintain; Reduces cleaning •
- Impervious to: Crayon, Ball point pen, and Fingernail polish •
- Extremely resistant to: Scratching, Gouging, and Intentional Abuse •

DESKTOPS Order Quantities 6-60 61-176 180 +

MD-850, Desktop (shown)
 18-1/2" x 24-1/2" x 5/8"
 with pencil groove **10.50 10.00 9.50**
 Available in Sand, Light Gray and Charcoal.
 6 Per Carton

MD-940, Tablet Arm (shown)**
 14" x 19" x 26" x 5/8"
 with pencil groove **10.50 10.00 9.00**
 Available in Light Gray.
 6 Per Carton

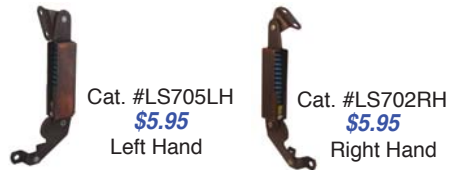
MD-960, Tablet Arm, Ex. Lg.**
 18" x 24" x 31" x 5/8" **10.50 10.00 9.00**
 Available in Sand and Light Gray. 6 Per Carton



SOLD IN CARTON QUANTITIES ONLY!

Pricing is based on SECONDS ONLY! Slightly blemished. Limited supply. Firsts are available at an additional price.

DESK LIFT LID SUPPORT



INSTALLATION INSTRUCTIONS

- 1) Position on frame desired location.
- 2) Mark plastic through holes on frames. (use drill bit, pencil, scratch-all)
- 3) Drill marks on plastic - 5/32" diameter x 1/2" deep.
- 4) Screw onto frame. (use screw that penetrates plastics - 7/16" or slightly less)



DRILL ADAPTER assists with accurate drilling.

Part No. H65 **\$5.00**

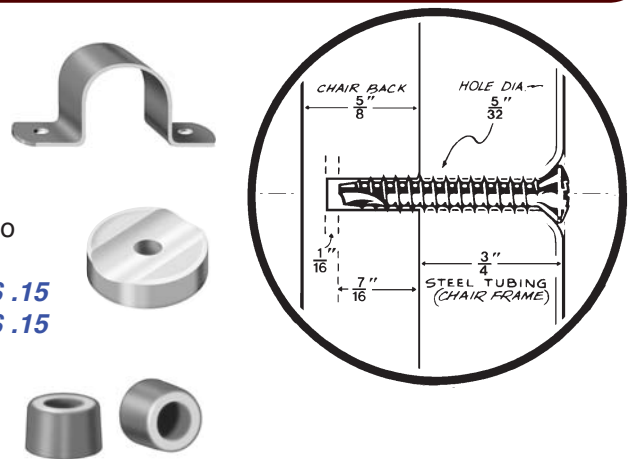
INSTALLATION HARDWARE-THREAD CUTTING SCREWS

Oval Head	Part#	Price
10 x 1"	H05	\$.12
10 x 5/8"	H07	\$.12
10 x 1-3/16"	H10	\$.12
10 x 1-3/8"	H15	\$.12
10 x 1-1/2"	H20	\$.12
10 x 1-5/8"	H25	\$.12
10 x 1-9/16"	H30	\$.12
Round Head		
10 x 1/2"	H35	\$.12
10 x 5/8"	H36	\$.12
10 x 3/4"	H37	\$.12
10 x 1"	H40	\$.12
10 x 1-1/4"	H45	\$.12

BRACKET	
H60 = 3/4"	\$1.15
H61 = 7/8"	\$1.15
H62 = 1"	\$1.15
H64 = 1-1/4"	\$1.15

Plastic spacers molded to accept tubing.
 H50=1/4" x 1-1/4" dia. **\$.15**
 H52=1/8" x 1-1/4" dia. **\$.15**

Desk Top Bumper
 Part No. H55 **\$.25**



UNIVERSAL HARD PLASTIC SEATS, BACKS & STOOL TOPS

- Replaces wood, soft plastic, and fiberglass • Easily installs in minutes •
- Rock hard melamine plastic • CREATE AN ATTRACTIVE LEARNING ENVIRONMENT FOR 75% LESS THAN REPLACEMENT COSTS •

Are your budgets so tight they squeak? Here's a big help. Rescue those 20-30 year old frames that have proven their worth by surviving years of use and abuse. Simply replace the old worn out seats, backs, and desk tops with the very best component parts available and Voila! You have an attractive, durable, modern looking piece of student seating, ready for another 20-30 years of use. And you were able to do it on the limited budget you were given.



New Chairdesks can cost \$85.00 each and more. Desk top, seat, and back from Centar Industries cost only \$21.60 each.



EXAMPLE: 30 - New Chairdesks = \$2,550.00
 30 - Refurbished Chairdesks = \$ 648.00
 SAVINGS OF = \$1,902.00

PLUS, YOU GET TO KEEP YOUR STURDY OLDER FRAMES!



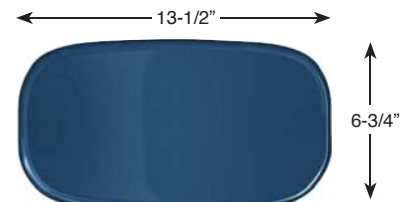
CHAIR SEATS

	Order Quantities	12-60	72-276	288 +
S-35, (Medium Seat) 14" x 13" x 5/8"				
Fits 11", 12", 13", 14" & 15" chair sizes		6.40	6.00	5.50
Available in Red, Sand, Burgundy, Cocoa, Navy Blue & Royal Blue. Other colors available. 12 Per Carton.				
S-25, (Large Seat) 16" x 15" x 5/8"				
Fits 16", 17" & 18" chair sizes		6.40	6.00	5.50
Available in Royal Blue, Navy Blue, cocoa, Burgundy, Sand, Red. Other colors available. 12 Per Carton.				

Pricing is based on SECONDS ONLY! Slightly blemished. Limited supply. Firsts are available at an additional price.

CHAIR BACKS

	Order Quantities	12-60	72-276	288 +
B-25, 13-1/2" x 6-3/4" x 5/8"				
(fits all size chairs)		4.70	4.20	4.00
Available in Royal Blue, Navy Blue, cocoa, Burgundy, Sand, Red. Other colors available. 12 Per Carton.				



STOOL TOPS

	Order Quantities	10-60	70-270	280 +
13-DS 13" diameter x 9/16"		6.35	5.75	5.50
13-DS-A 13" diameter x 3/8"		6.35	5.75	5.50
Available in Red, Burgundy, Cocoa, Sand, Royal Blue, Navy, Walnut, Gray, Gold, Wine, and Cranberry. Other colors available. 10 Per Carton.				



SOLD IN CARTON QUANTITIES ONLY!

WWW.CENTARIND.COM
 e-mail: CUSTSERVICE@CENTARIND.COM



Centar Industries INCORPORATED
 16313 WESTWOODS BUSINESS PARK, ELLISVILLE, MO 63021
 CALL TOLL FREE: 1-800-843-7878 • FAX 1-636-391-2336

IN ST. LOUIS CALL:
 636-391-2333